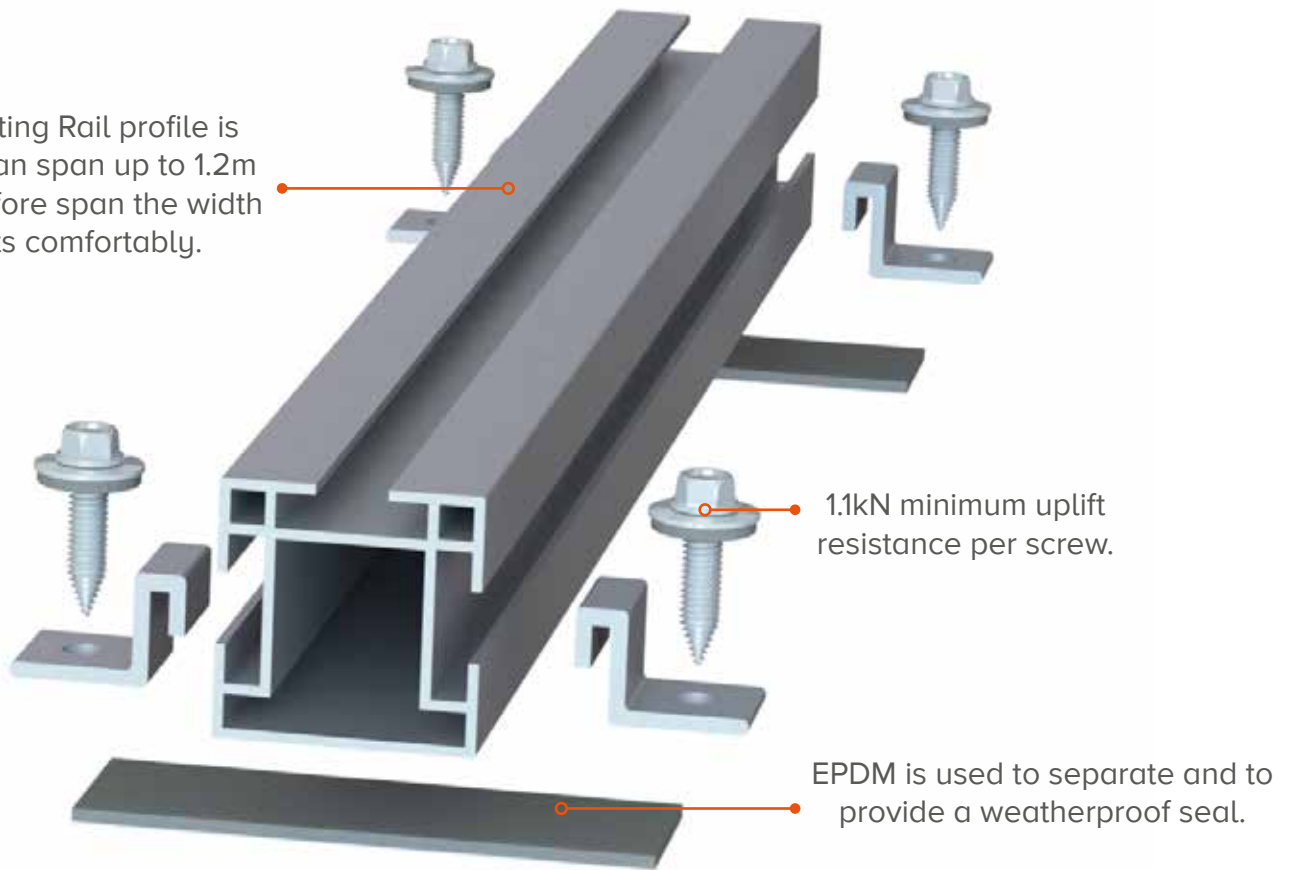


40X40 DIRECT

40x40 Mounting Rail profile is used, which can span up to 1.2m and can therefore span the width of skylights comfortably.



1.42kg/m²
Weight

0.48mm^{steel} 0.7mm^{aluminium}
Min. profile thickness

1°-45°
Suitable roof pitch

Portrait & landscape
Module orientation

Aluminium, stainless steel & EPDM
Material