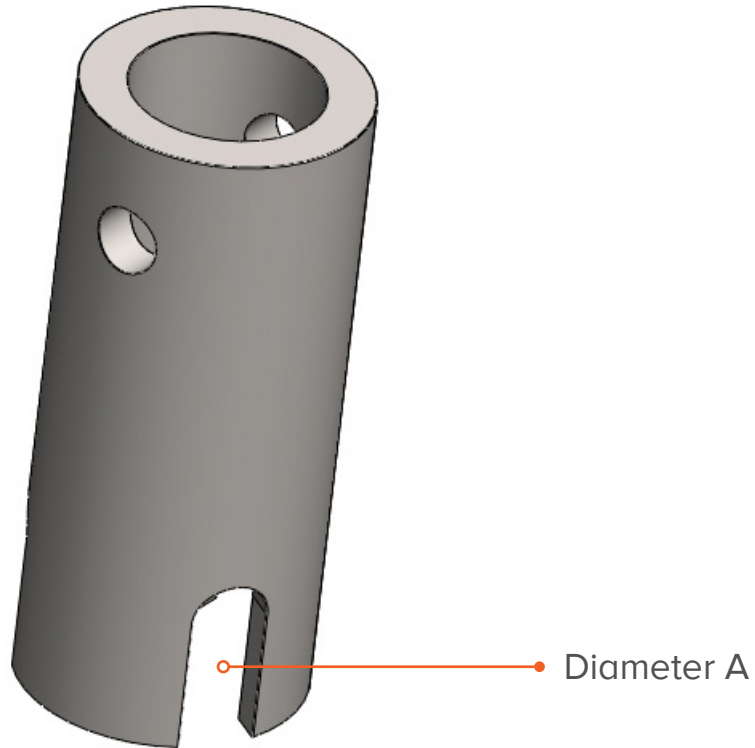


# AUGER ADAPTER

## DATASHEET



Product Code  
**300011**

Length  
**240mm**

Inside Diameter  
**70mm**

Outside Diameter  
**105mm**

Diameter A  
**28mm**

Weight  
**12kg**

Material  
**Steel**

### Recommended Equipment

We recommend hiring a 2.5 tonne cylinder head hydraulic auger unit with a reverse option for installing the Ground Anchors.

Sometimes the ground may need a little more pressure applying to it and for this a 4-5 tonne auger unit is better suited.

We lend the Auger Adapters which will fit the auger unit. Please ensure you request one at point of order.