



# ELEVATION **FIXED**



R3 Bourton Industrial Park, Bourton on the Water, Glos, GL54 2HQ, UK

**Tel: +44 1451 824 312**

**Email: [info@sunfixings.co.uk](mailto:info@sunfixings.co.uk)**

**[WWW.SUNFIXINGS.CO.UK](http://WWW.SUNFIXINGS.CO.UK)**

V062017

# 2

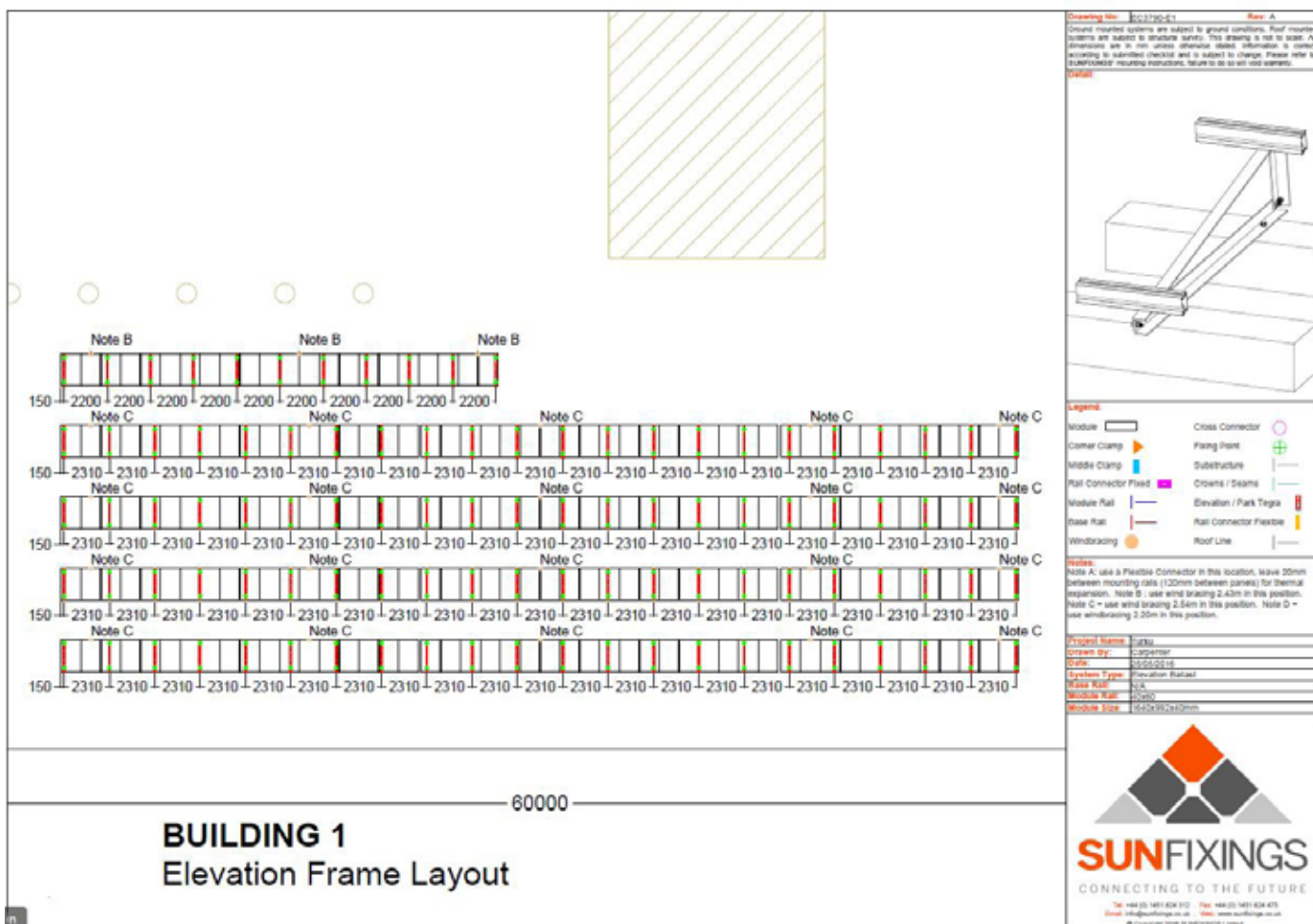
## Check the layout

### Tools & Items Required



Check the layout for:

- the position of the Elevation Frames
- distance between the Elevation Frames
- the position of the Wind Bracing, if your project needs it
- the position of Flexible Connectors, if your project needs them



# 3

## Pre-drilling the bottom of the Elevation Frame

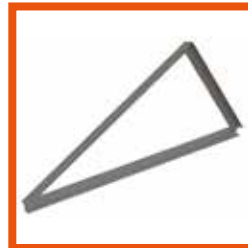
### Tools & Items Required



Battery Drill



HSS Drill Bit  
\*see table B

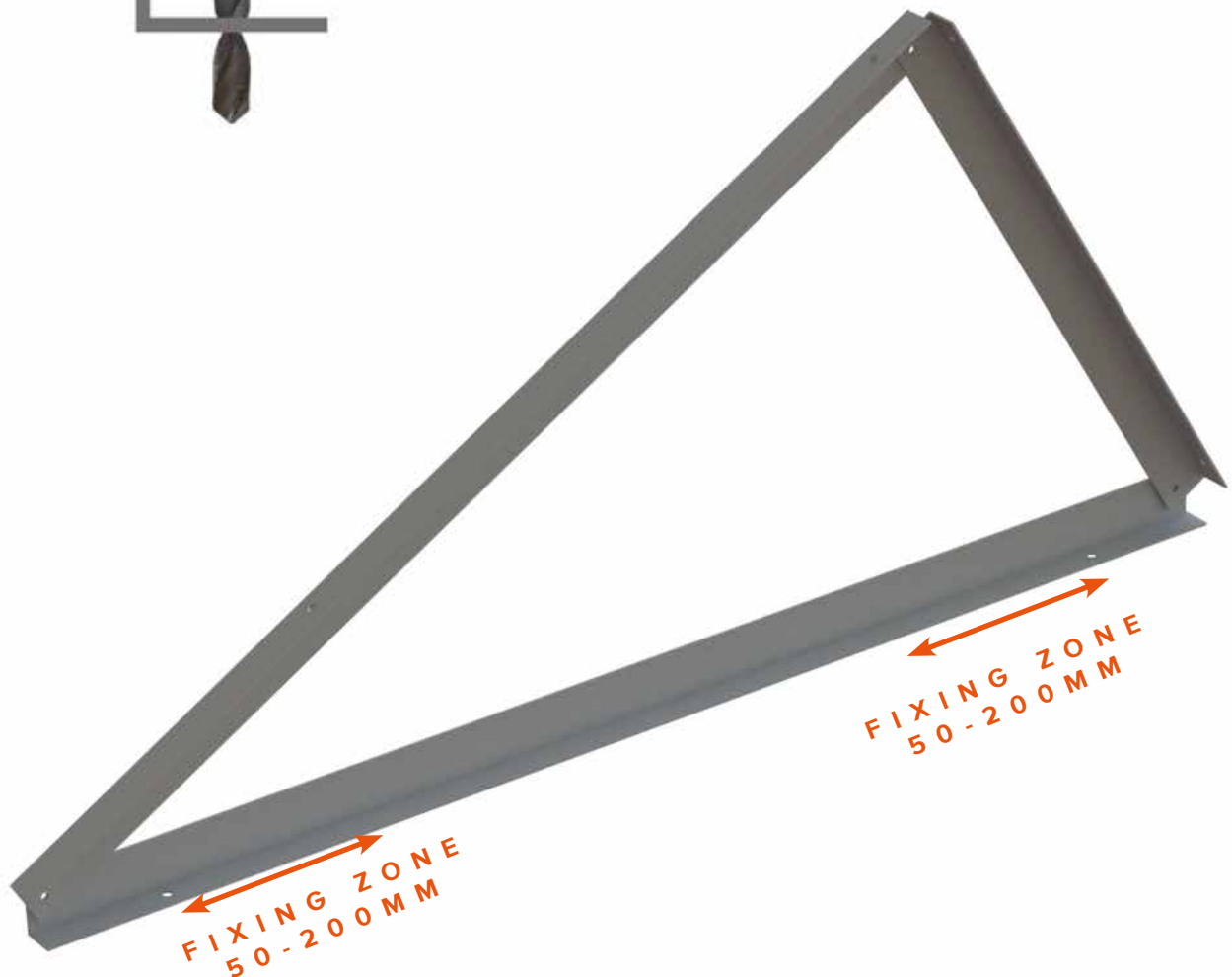


Elevation  
Frame



Table B

Elevation is fixing to:	Pre-Drill Hole
M10 Hanger Bolt	11 mm
M12 Hanger Bolt	13 mm
Base Rail	11 mm
Hook Plate	11 mm
Standing Seam Round	9 mm
M10 Anchor Rod	11 mm
M12 Anchor Rod	13 mm



# 4

## Installing with different roof connections

### Directly to Standing Seam Round Clamps



13mm Spanner



6mm Allen Key



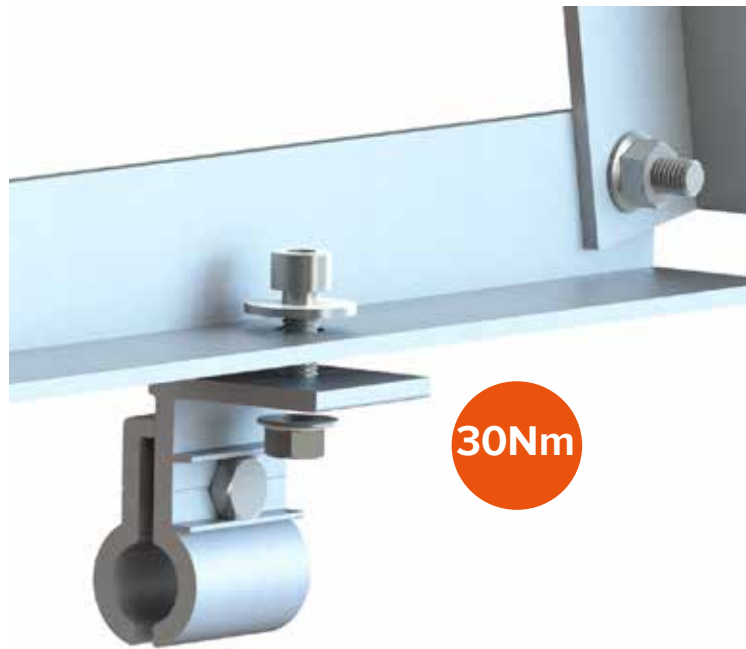
Cylinder Head Screw



M8 Serrated Nut



M8 Washer



30Nm

### Directly to Hook Plate



17mm Spanner



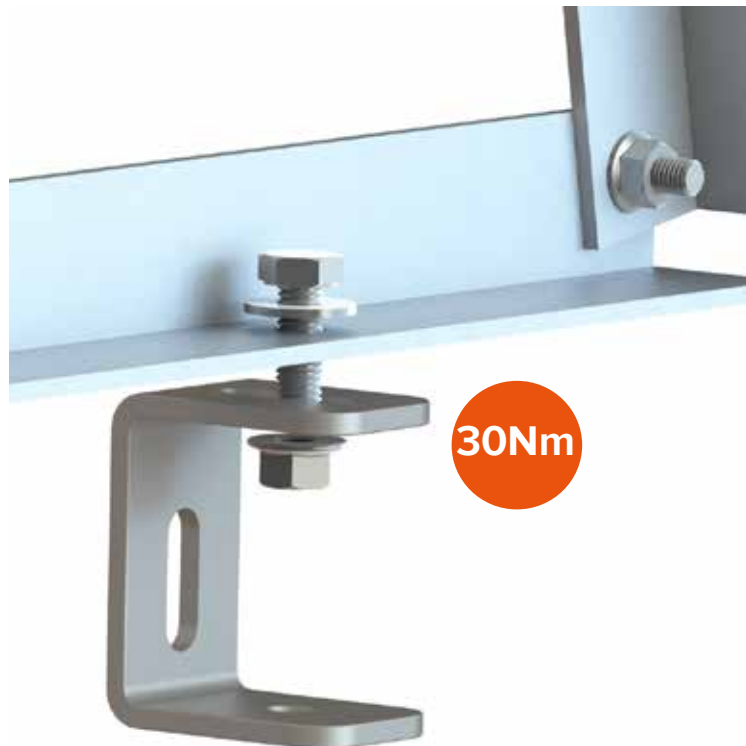
M10 x 30 Bolt



M10 Serrated Nut



M10 Washer



30Nm

# 5

## Installing with different roof connections

### To Base Rail (in line with Elevation)



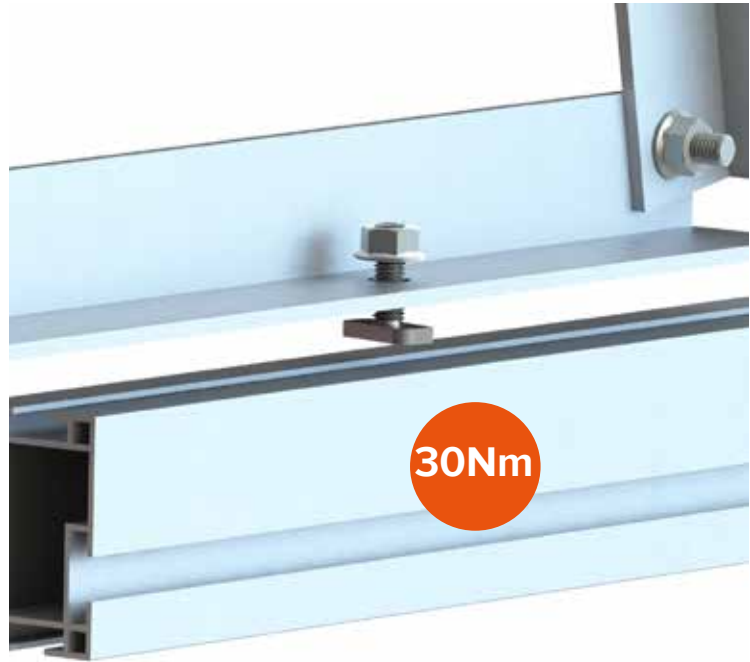
15mm Spanner



M10 T Bolt



M10 Serrated  
Nut



### To Base Rail (crossing the Elevation)



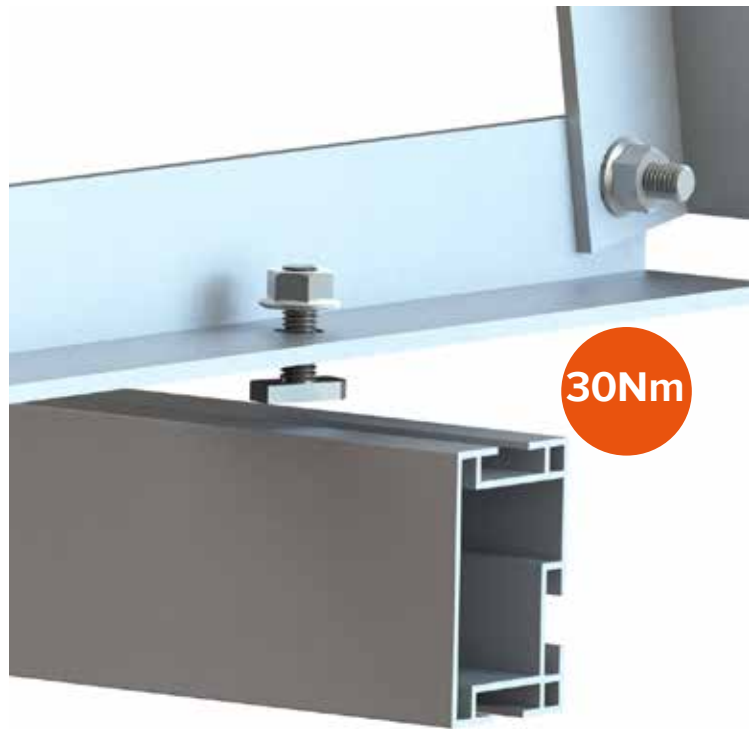
15mm Spanner



M10 T Bolt



M10 Serrated  
Nut



# 6

## Installing with different roof connections

### Directly to Hanger Bolt



15mm Spanner



M10 Serrated  
Nut



### Directly to Anchor Rod



15mm Spanner



M10 Serrated  
Nut



# 7

## Tightening the bolts & nuts of the Elevation Frame

### Tools & Items Required



13mm Spanner



6mm Allen Key



Cylinder Head  
Screw



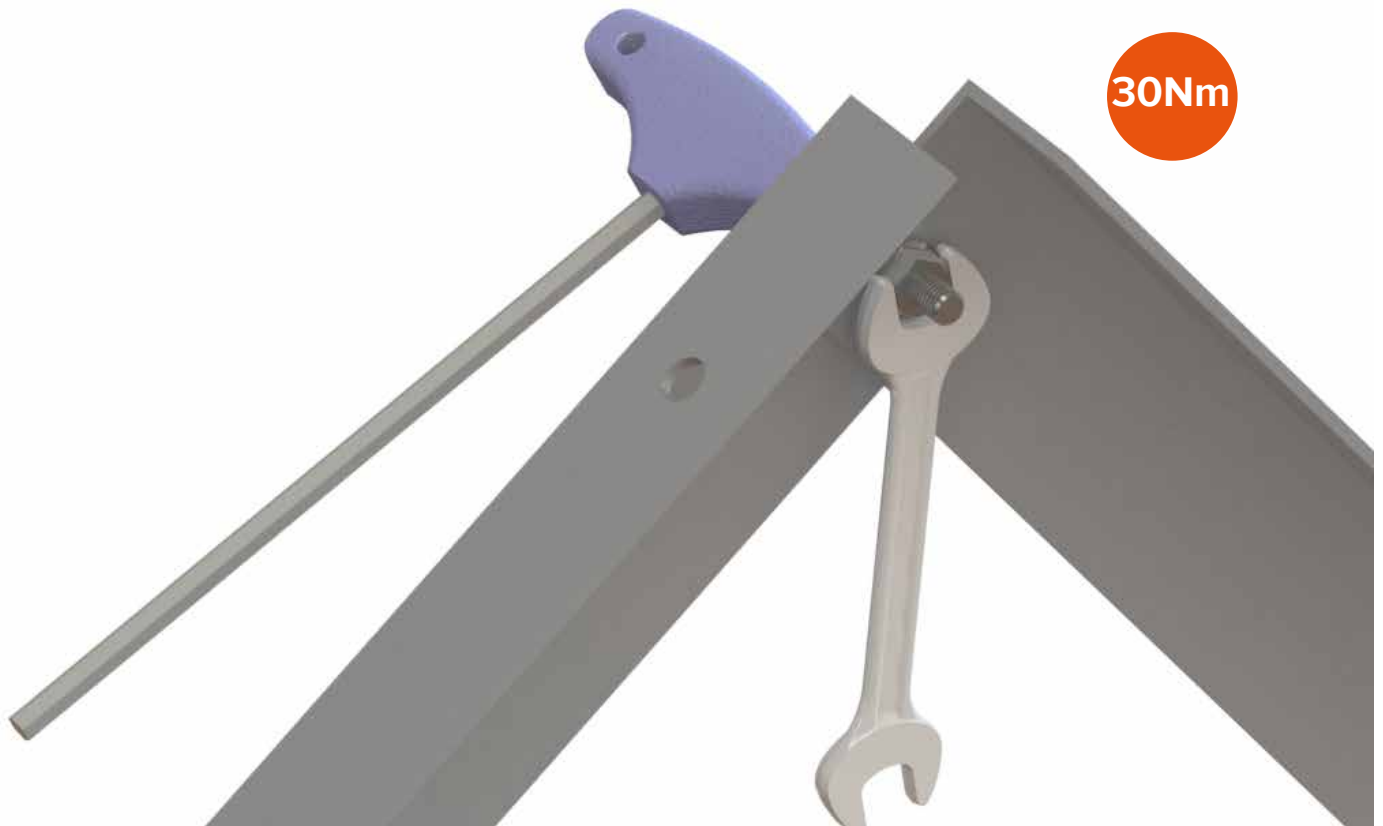
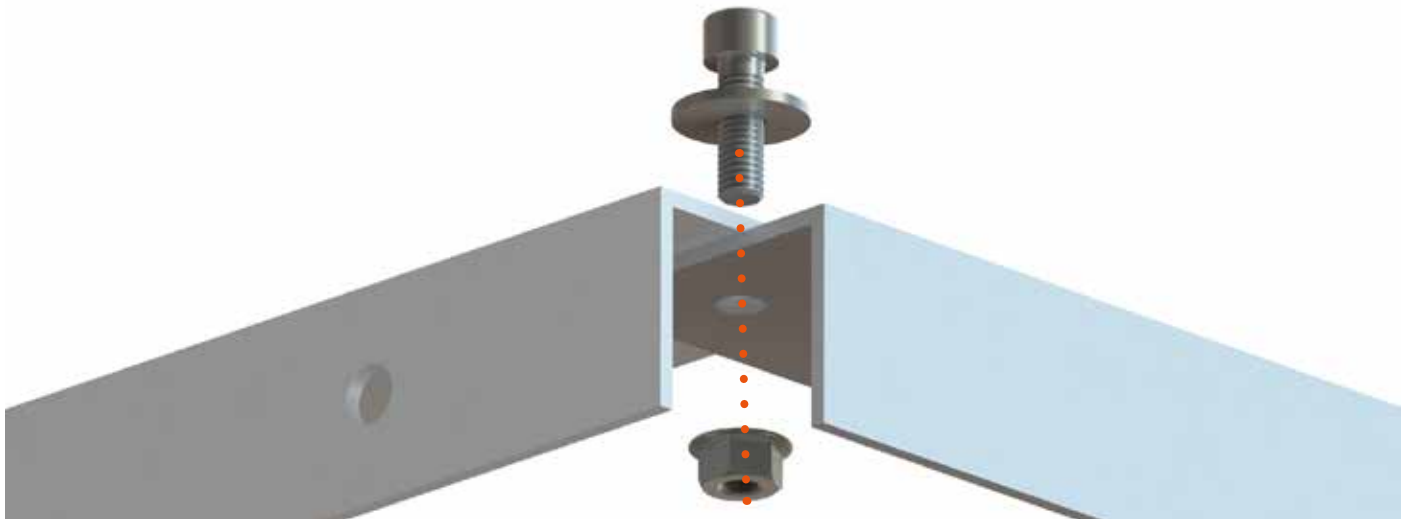
M8 Serrated  
Nut



M8 Washer



Elevation  
Frame



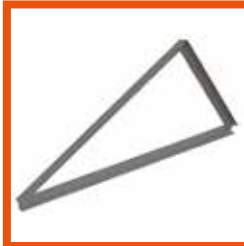
# 8

## Attaching the Mounting Rails

### Tools & Items Required



15mm Spanner



Elevation Frame



Mounting Rail

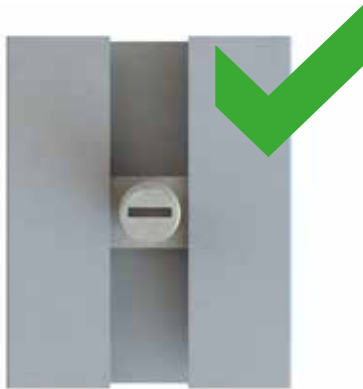
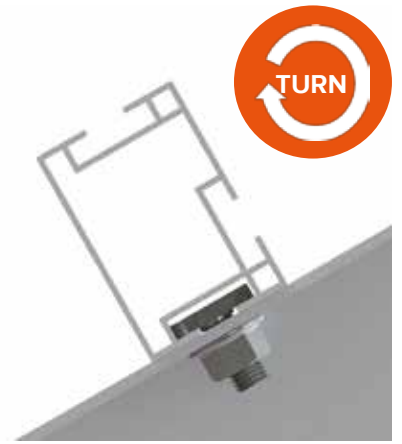
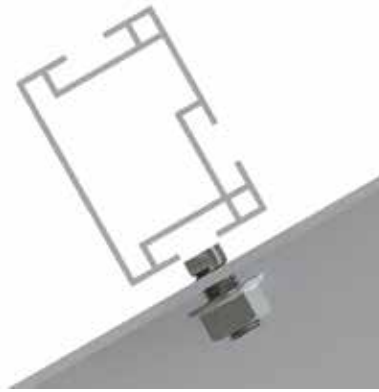


M10 T Bolt



M10 Serrated Nut

There will already be holes in the top of the Elevation Frame for attaching the Mounting Rail.



Portrait Module

Landscape Module





# 9

## Pre-drill pilot holes for the Wind Bracing

### Tools & Items Required



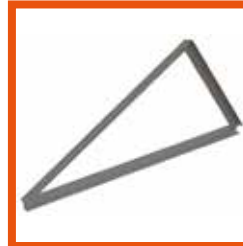
Layout



Battery Drill



9mm HSS Drill Bit



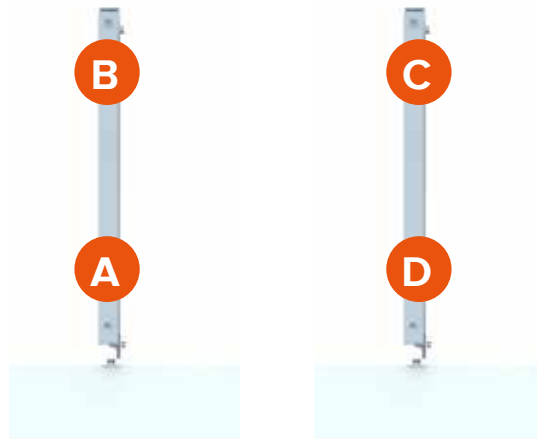
Elevation Frame



Wind Bracing Set

The layout will tell you where to position the Wind Bracing, if your project needs it. You only need to pre-drill the back of the Elevation Frames shown. Pre-drill a pilot hole (9mm diameter) for each A, B, C & D positions.

**9mm**  
pre-drill  
diameter



**The Wind Bracing Set includes:**

- 1x Flat Piece
- 1x L Piece
- 5x Cylinder Head Screws
- 5x M8 Serrated Nuts



# 10

## Pre-drill pilot holes for the Wind Bracing

### Tools & Items Required



Battery Drill



9mm HSS Drill Bit



Elevation Frame

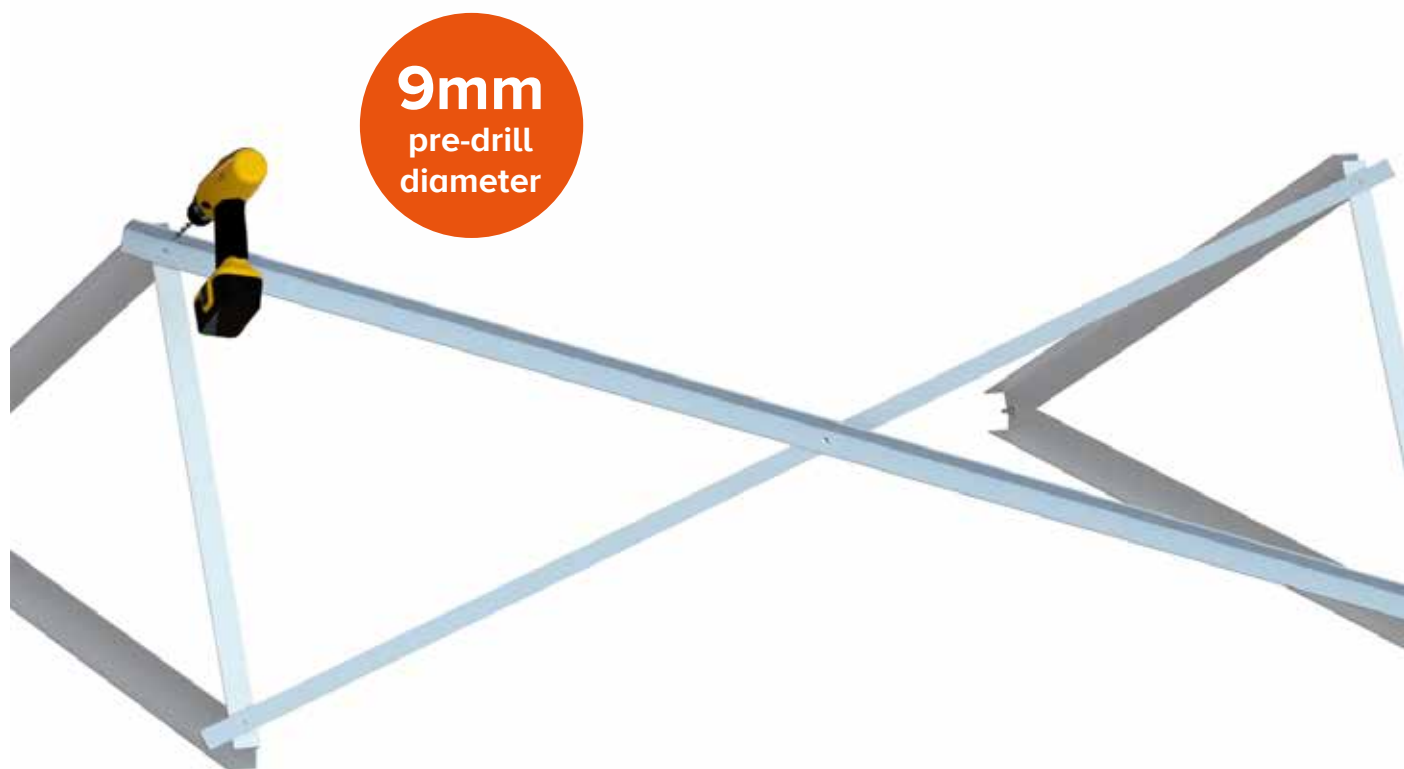


Wind Bracing Set

Pre-drill a pilot hole (9mm diameter) into each end of the Flat Piece, so that they match holes A and C.

Pre-drill a pilot hole (9mm diameter) into each end of the L Piece, so that they match holes B and D.

Pre-drill a pilot hole (9mm diameter) into the Flat Piece and L Piece, where they cross over in the middle.



# 11

## Fitting the Wind Bracing

### Tools & Items Required



8mm Allen Key



13mm Spanner



Cylinder Head Screw



M8 Serrated Nut



M8 Washer



Wind Bracing

Place the Flat Piece so that it sits over holes A & C. Fix using Cylinder Head Screw, M8 Washer and M8 Serrated Nut.

Place the L Piece over the top of the Flat Piece, so it sits over holes B & D. Fix using Cylinder Head Screw, M8 Washer and M8 Serrated Nut.

Fix the centre with a Cylinder Head Screw, M8 Washer and M8 Serrated Nut.

