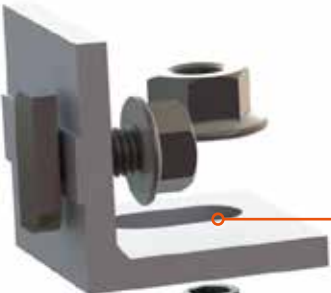
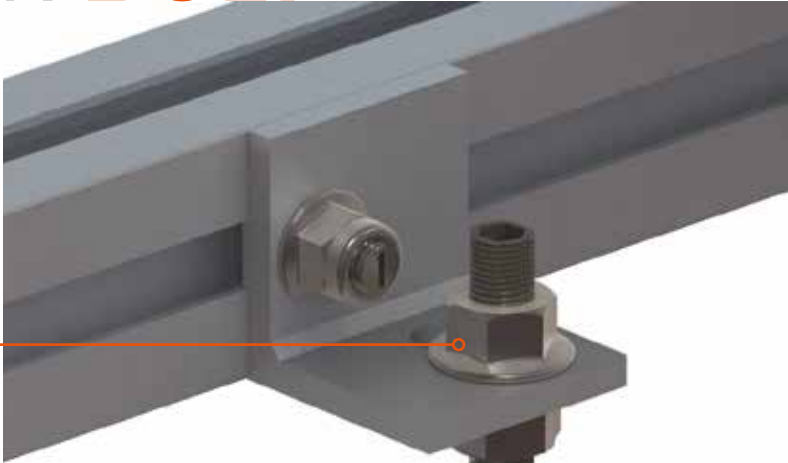




HANGER BOLT



You can change the height by adjusting the position of the Cross Connection on the Hanger Bolt.



An EPDM washer is used to provide a weatherproof seal.

Saddle washers are also available to provide further weatherproofing.

1.52kg/m²
Weight

1.0mm^{steel} **60mm^{timber}**
Min. purlin thickness

1°-90°
Suitable roof pitch

Portrait & landscape
Module orientation

Aluminium & stainless steel
Material

+44 (0) 1451 824 312
info@sunfixings.co.uk
R3 Bourton Industrial Park, Bourton on the Water, Cheltenham, Glos, GL54 2HQ, UK

WWW.SUNFIXINGS.CO.UK
V042018

