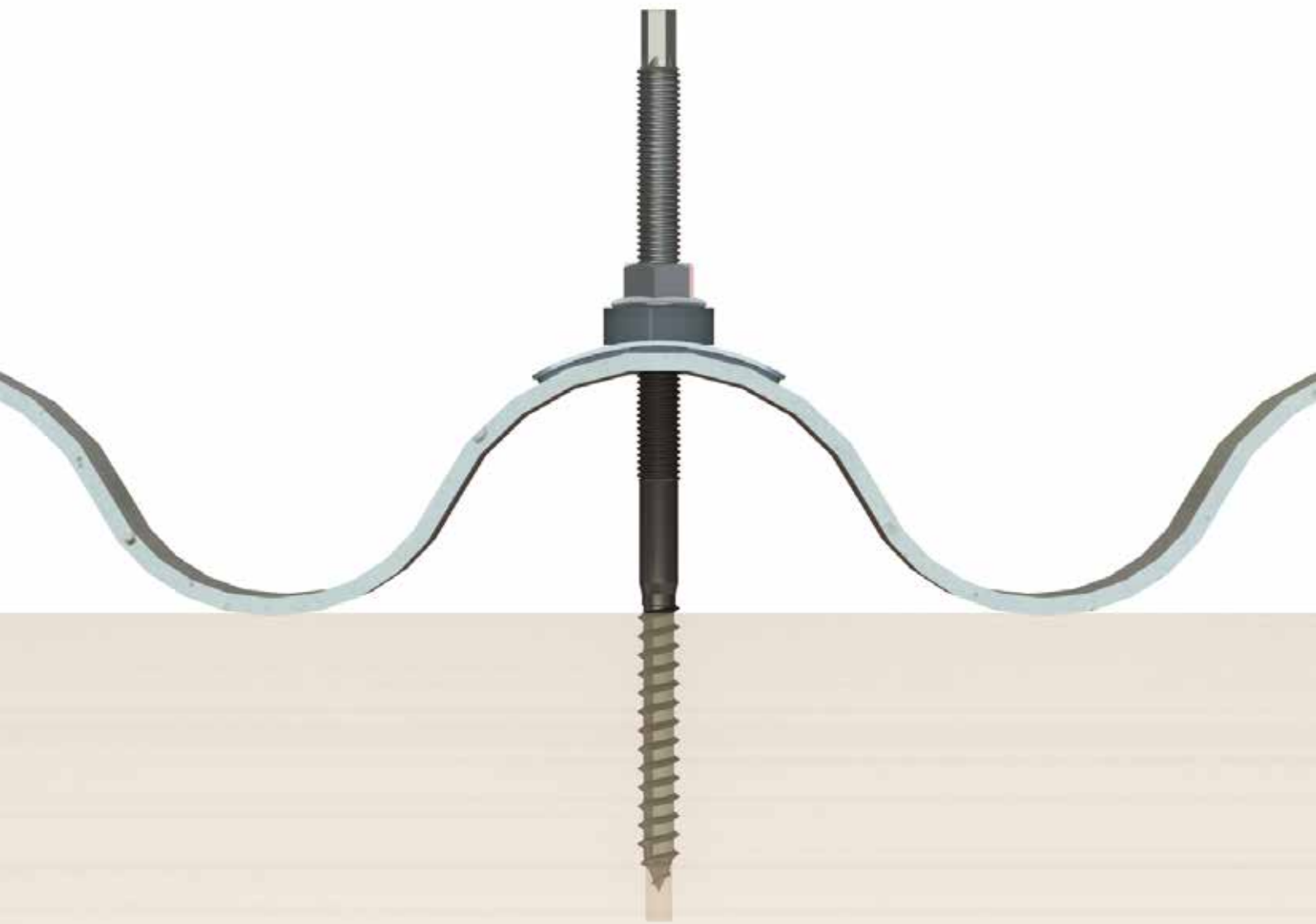




# HANGER **BOLT**



R3 Bourton Industrial Park, Bourton on the Water, Glos, GL54 2HQ, UK

**Tel: +44 1451 824 312**

**Email: [info@sunfixings.co.uk](mailto:info@sunfixings.co.uk)**

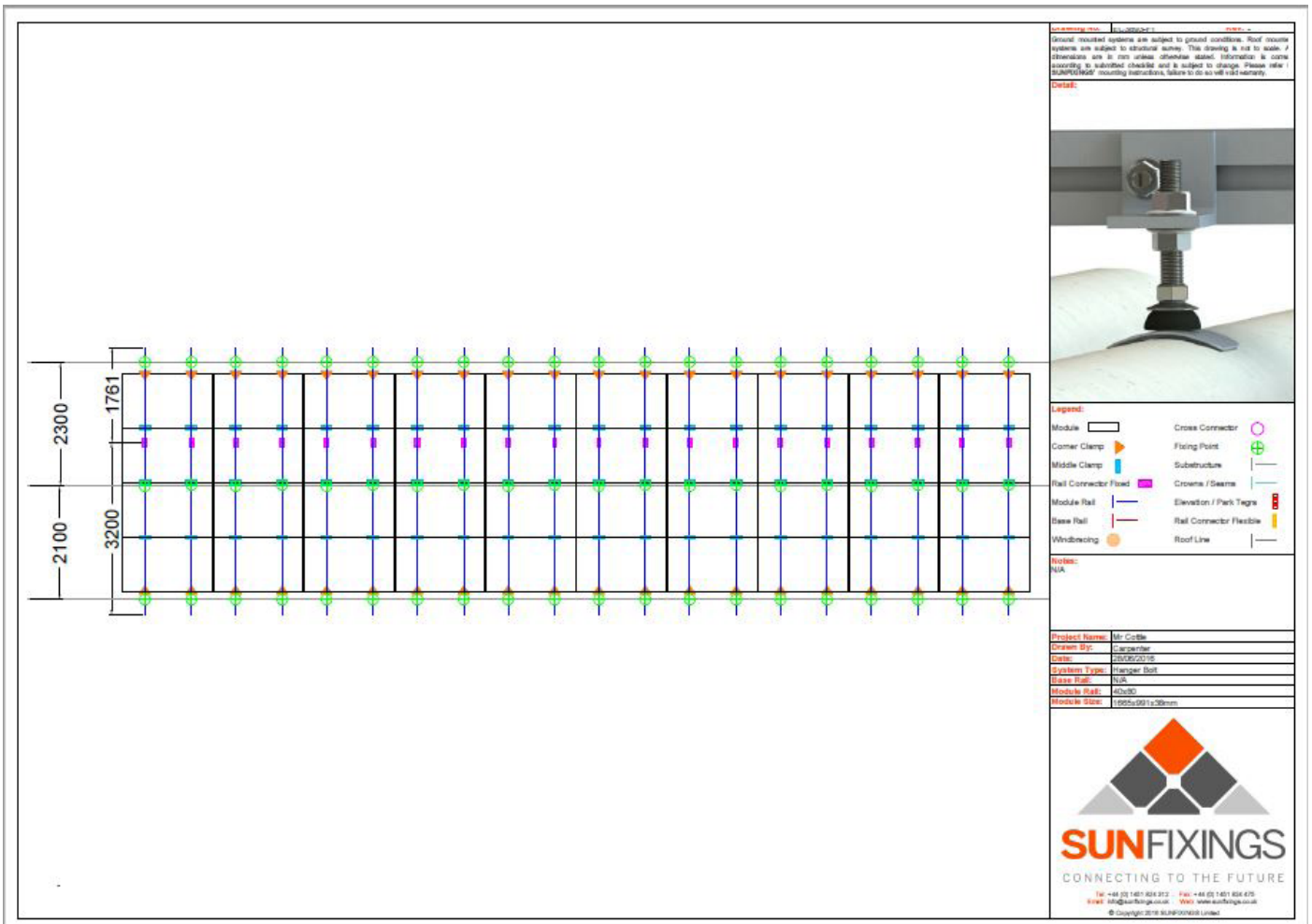
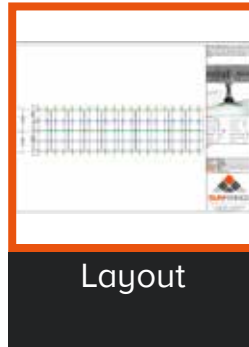
**[WWW.SUNFIXINGS.CO.UK](http://WWW.SUNFIXINGS.CO.UK)**

V062017

# 2

## Use the layout to find the location for the Hanger Bolts

### Tools & Items Required



# 3

## Pre-drill the roofing sheet & substructure

### Tools & Items Required



Battery Drill



Drill Bit \*See tables for sizes

First pre-drill the roofing sheet using Table A.  
Next pre-drill the substructure using Table B.

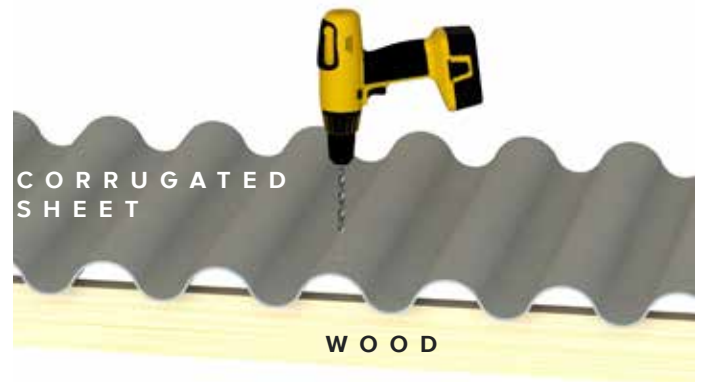


Table A

Hanger Bolt diameter	Pre-drill diameter in roofing sheet
8 mm	10 mm
10 mm	12 mm
12 mm	14 mm

Table B

Substructure thickness	Pre-drill diameter in substructure
STEEL 1.5 - 5.0 mm	6.8 mm
STEEL 6.0 mm	7.0 mm
STEEL 8.0 mm	7.2 mm
STEEL > 10.0 mm	7.4 mm
WOOD	6.0 mm

# 4

## Position saddle washer & insert Hanger Bolt

### Tools & Items Required



Battery Drill  
(NOT impactor)



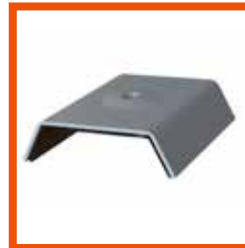
Drive Bit \*see  
below



Hanger Bolt  
for Steel



Hanger Bolt  
for Wood

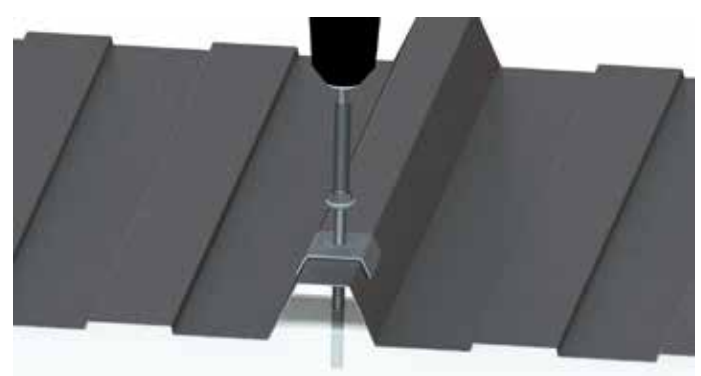
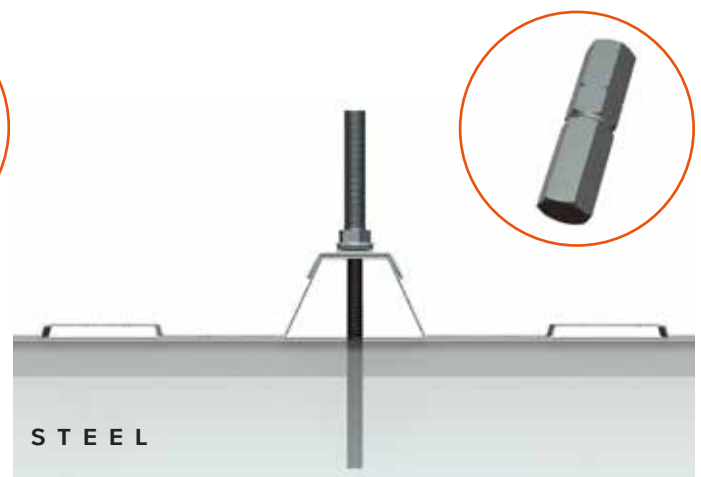
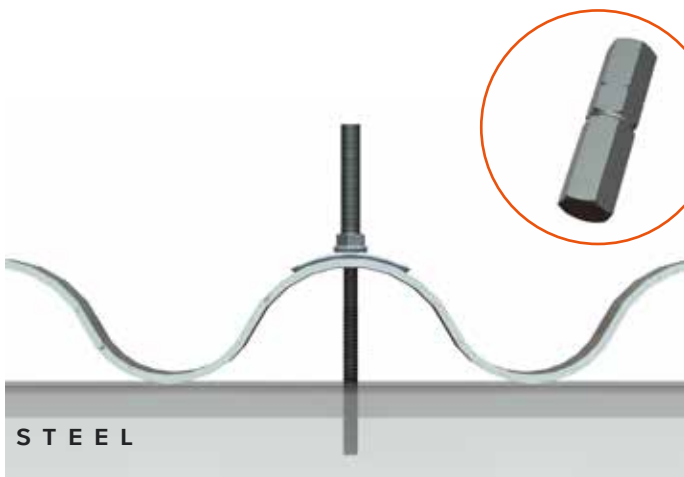
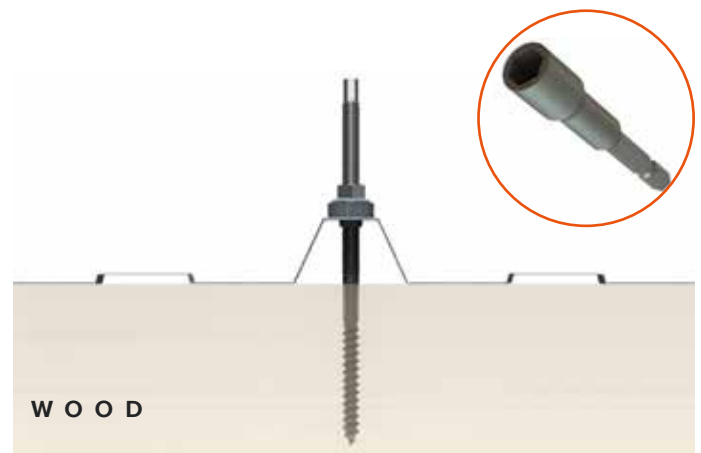
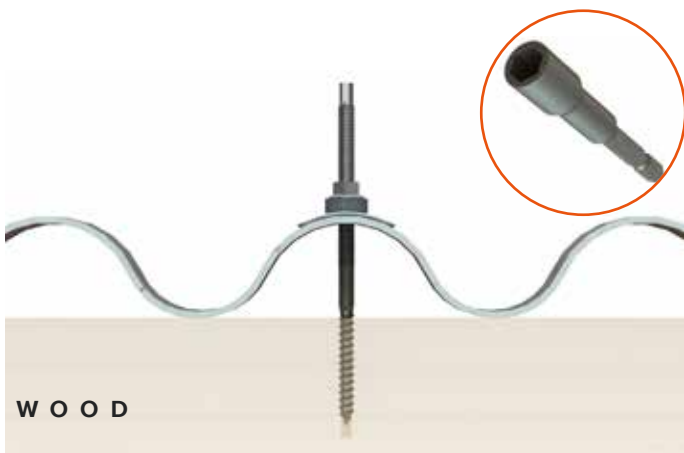


Saddle Washer  
Trapezoidal



Saddle Washer  
Corrugated

Use saddle washers if they have been specified.



# 5

## Tighten the Hanger Bolt & attach the Cross Connector

### Tools & Items Required



Spanner



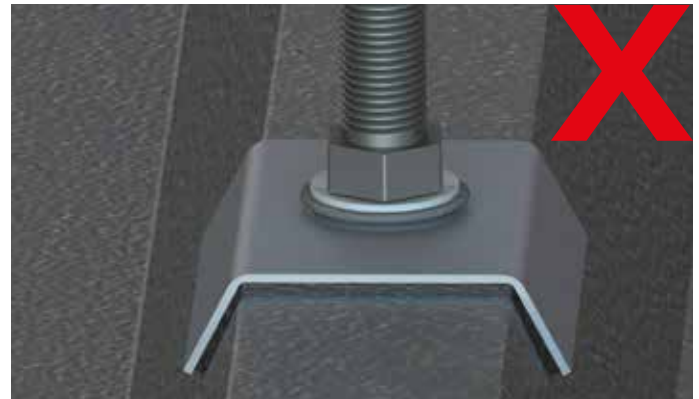
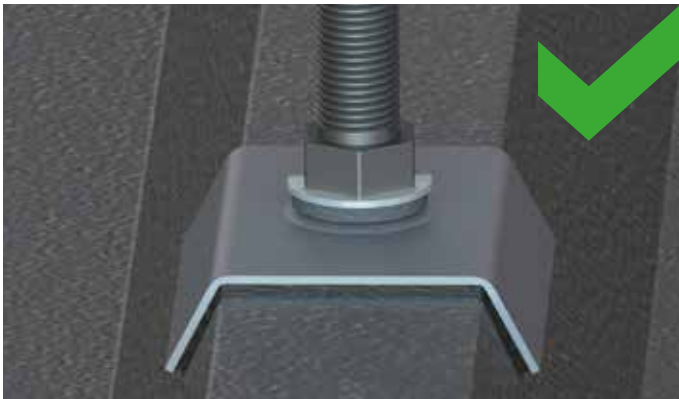
Hanger Bolt  
for Wood



Hanger Bolt  
for Steel



Cross  
Connector



25Nm

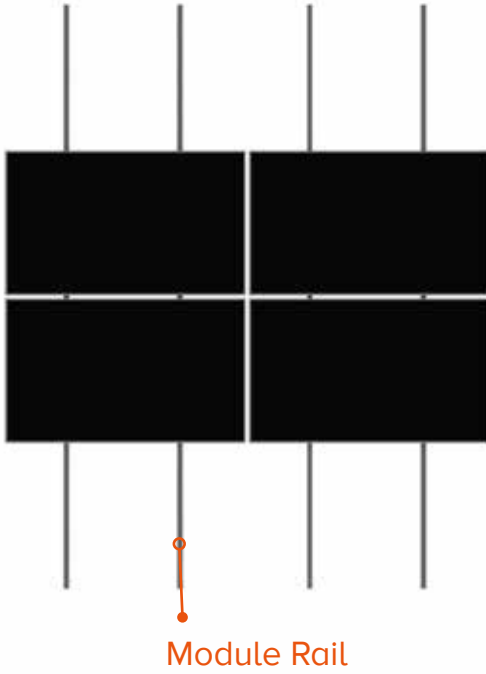


Position the Cross Connector onto the Hanger Bolt in  
between the 2 top nuts. Tighten the nuts to secure the Cross  
Connector.

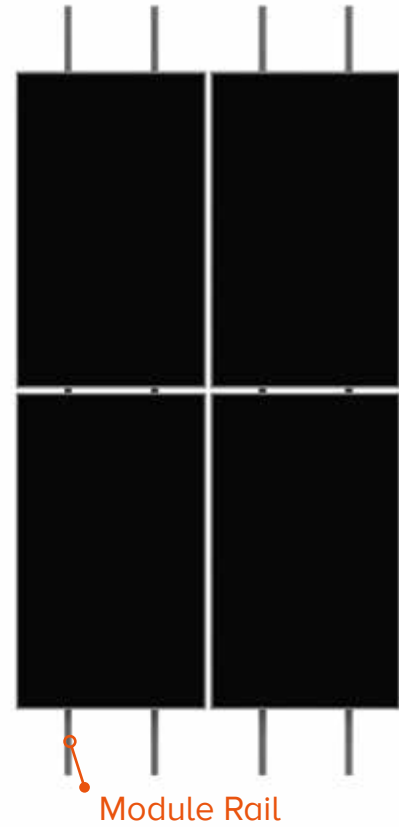
# 6

## Different mounting rail connections

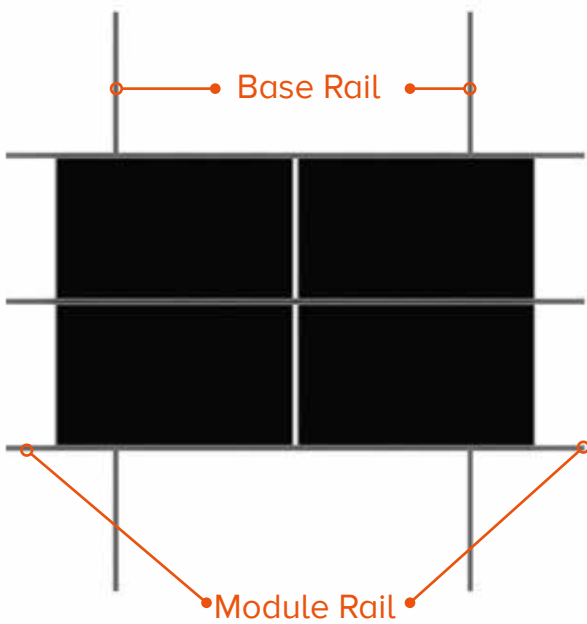
Standard Landscape



Standard Portrait



Cross Rail Landscape



Cross Rail Portrait

