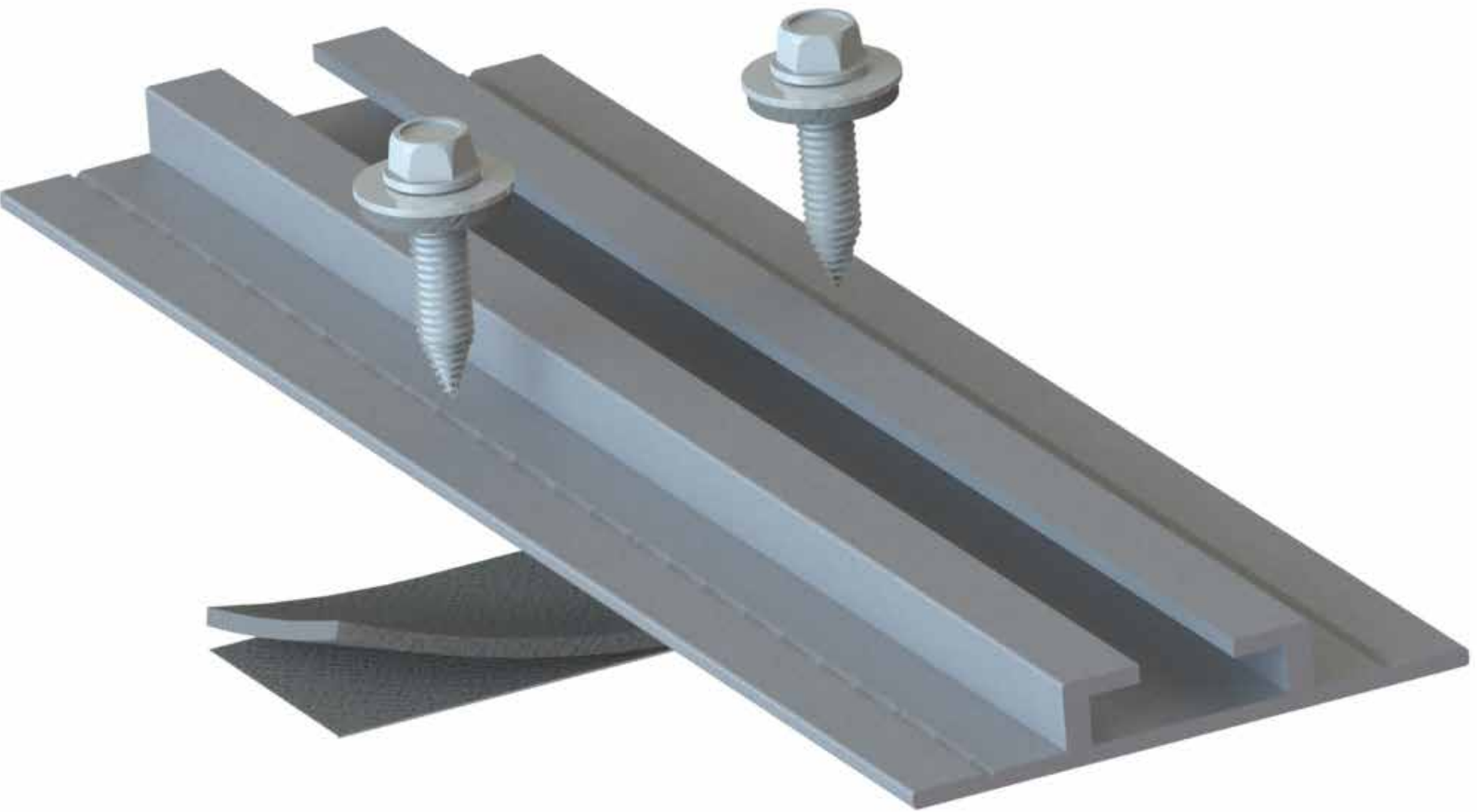




MOUNTING **RAIL DIRECT**



R3 Bourton Industrial Park, Bourton on the Water, Glos, GL54 2HQ, UK

Tel: +44 1451 824 312

Email: info@sunfixings.co.uk

WWW.SUNFIXINGS.CO.UK

V042017

2

Applying the EPDM Pads

Tools & Items Required



Layout

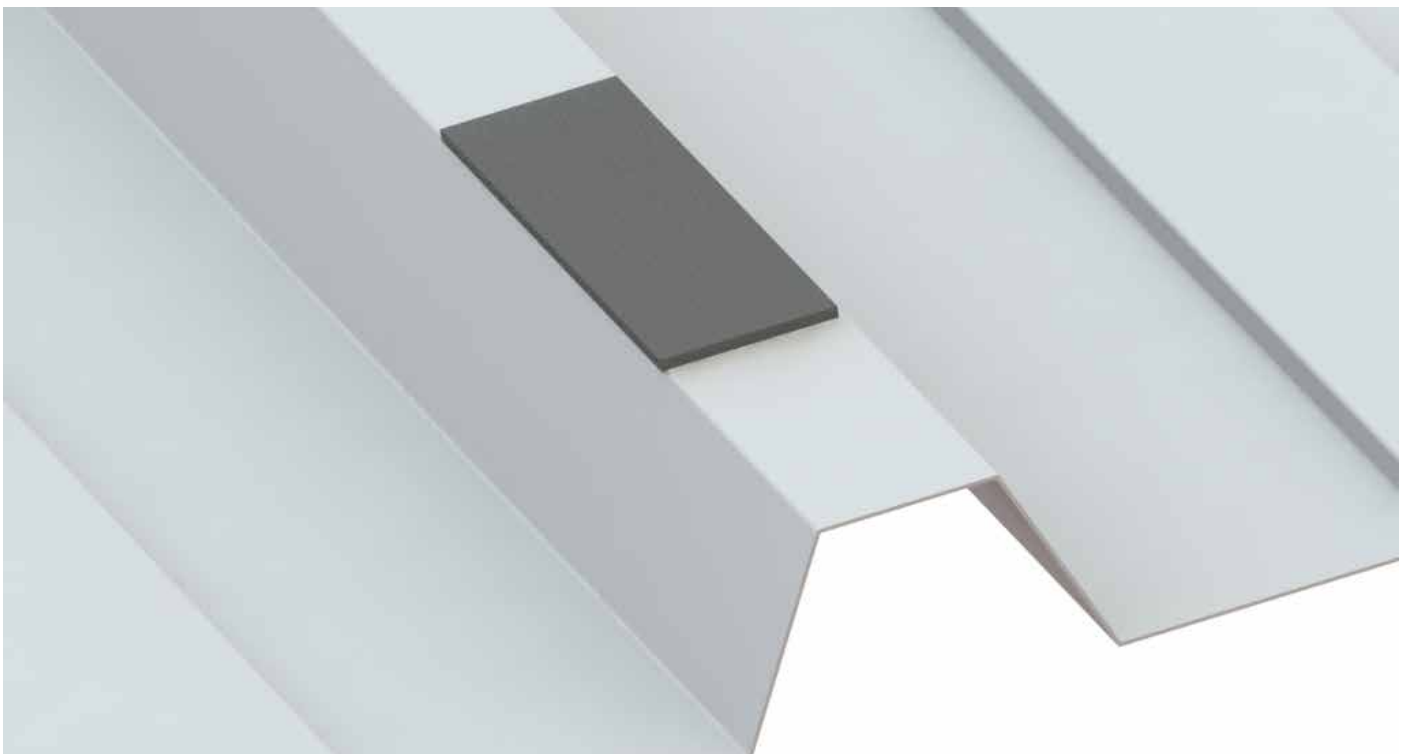


EPDM Pad

Use the layout to confirm the position of fixings.

Clean and dry the trapezoidal crowns so that they are free of any dirt or grease.

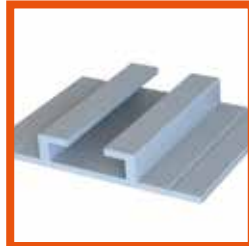
Peel off the backing. Apply onto the trapezoidal crown.



3

Position the Mounting Rail

Tools & Items Required



Mounting Rail



4

Fixing the Self Drilling Screws

Tools & Items Required



8mm Hex
Socket Driver



Battery Drill
(NOT impactor)



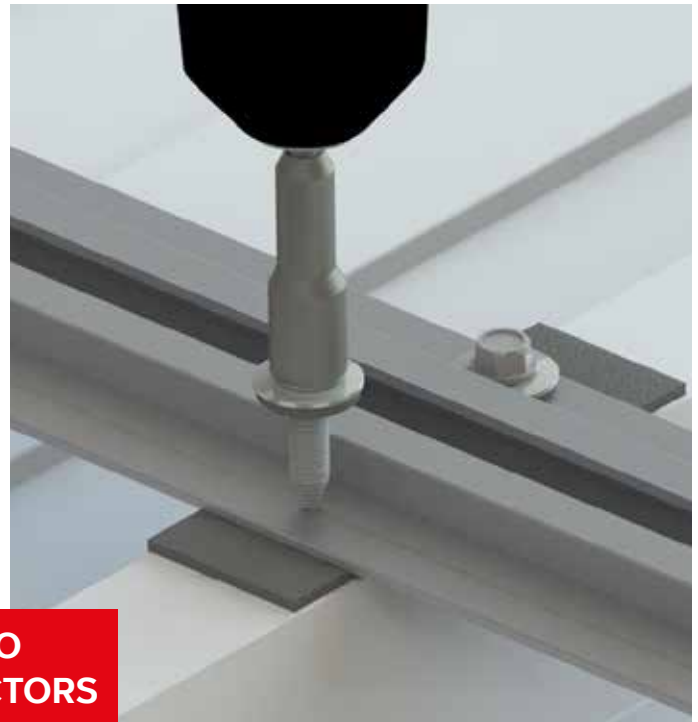
Self Drilling
Screw



Mounting Rail

2x Self Drilling Screws = 1 fixing point on the layout.

DO NOT overtighten or squash the washer.



NO
IMPACTORS

