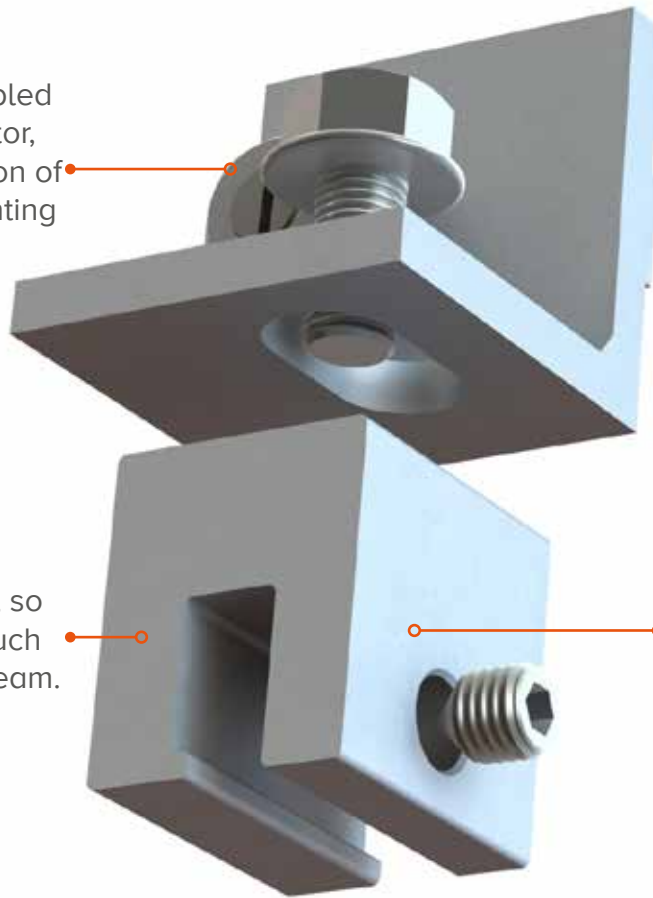


STANDING SEAM **FLAT**

A T Bolt is pre-assembled to the Cross Connector, which allows connection of the clamp to our Mounting Rails.



Additional elevation frames can be added to this system to increase the angle of the modules.

We offset the clamps, so that there isn't too much pressure on a single seam.

Different types are available to accommodate the different sizes, shapes and thicknesses of standing seam profiles.

1.59kg/m²
Weight

Portrait & landscape
Module orientation

1°-45°
Suitable roof pitch

Aluminium & stainless steel
Material