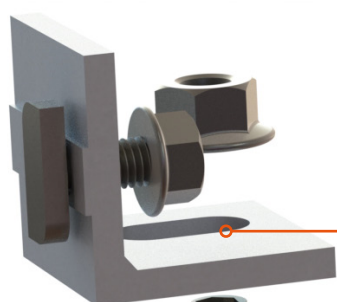
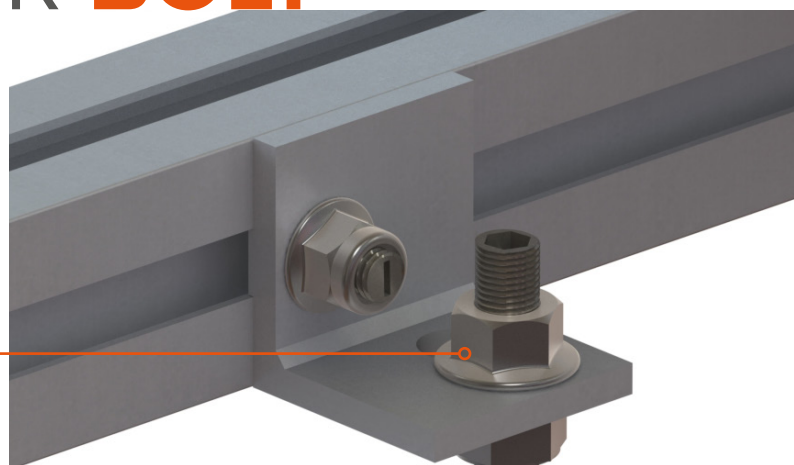


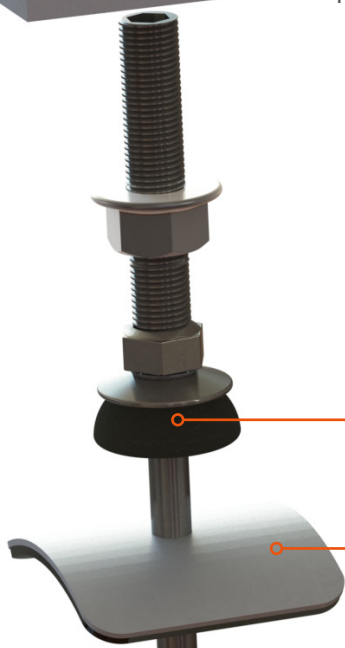
# HANGER BOLT



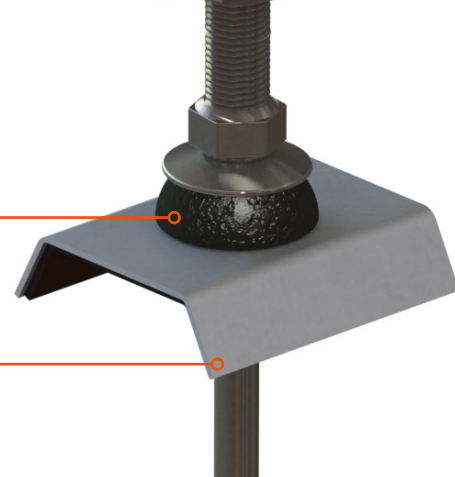
You can change the height by adjusting the position of the Cross Connection on the Hanger Bolt.



An EPDM washer is used to provide a weatherproof seal.



Saddle washers are also available to provide further weatherproofing.



**1.52kg/m<sup>2</sup>**  
Weight

**1.0mm<sup>steel</sup>**   **60mm<sup>timber</sup>**  
Min. purlin thickness

**1°-90°**  
Suitable roof pitch

**Portrait & landscape**  
Module orientation

**Aluminium & stainless steel**  
Material