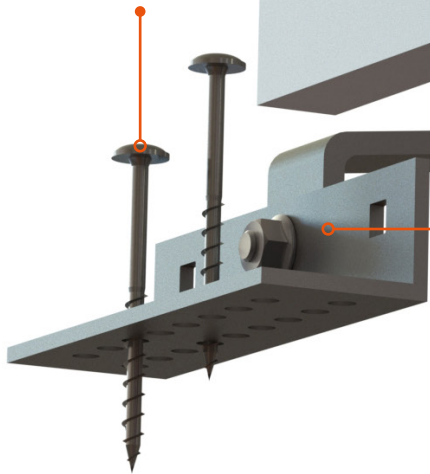


# ROOF HOOK

Designed specifically to fit all types of roofing tiles and rafter widths, with smaller holes in the base plate to fit the small rafters.

The fixing holes are offset from each other so that the pressure of the system isn't focused in the same line to protect the rafter.



The arm of the Roof Hook can be shifted to the left, right or centre for flexibility in reaching the rafter.

The Roof Hook is pre-assembled with a T Bolt that connects directly into the channels of our Mounting Rails.

Height adjustability in the arm, allows the Roof Hook to be positioned correctly with most roofing tiles and rafters.

**2.81kg/m<sup>2</sup>**

Weight

**All types**

Suitable roofing tiles & sizes

**10°-45°**

Suitable roof pitch

**Portrait & landscape**

Module orientation

**Aluminium & stainless steel**

Material

+44 (0) 1451 824 312

info@sunfixings.co.uk

R3 Bourton Industrial Park, Bourton on the Water, Cheltenham, Glos, GL54 2HQ, UK

**WWW.SUNFIXINGS.CO.UK**

V032021

